

## The Flexibility You're Looking For



*The interior view of the Windows NT® powered CAMALOT XyflexPro.*

### MODULARITY = FLEXIBILITY

30,000 DPH



50,000 - 60,000 DPH



100,000 - 120,000 DPH



LINE OPTIMIZATION AND PROGRAMMING  
ACHIEVED THROUGH ONE HOST COMPUTER.



## XYFLEXPRO™ SPECIFICATIONS

	SMALL PLATFORM	LARGE PLATFORM
Footprint (W x D x H)	31"* x 50" x 55" (787mm x 1268mm x 1397mm)	39"* x 62" x 55" (991mm x 1575mm x 1397mm)
Max. board size (X - Y)	13" x 10" (330mm x 254mm)	22" x 20" (559mm x 508mm)
Minimum conveyor width	1" (25mm)	1" (25mm)
Above board clearance	1" (25mm)	1" (25mm)
Under board clearance	1.2" (30.5mm)	1.2" (30.5mm)
Dot placement accuracy	0.003" @ 3 sigma (±75mm)	0.003" @ 3 sigma (±75mm)
Dispensing rate per platform	30,000 dph (application dependent)	30,000 dph (application dependent)
<b>DISPENSING RATE INCREASES WITH MULTIPLE PLATFORM LINK-UP</b>		
Computer operating system	Windows NT®	
Program storage	6.5 GB Hard Drive; 1.44 MB 3.5" floppy disk, zip drive and CD-ROM, Pentium II, 450 MHz	
Transport height	35.8" to 38.25" (909mm - 971mm) SMEMA with riser pad	
Power requirements	208-220V AC, 20 Amp max., 50/60 Hz, Single Phase, 3 wire grounded	
Pneumatic requirements	10 SCFM (30m <sup>3</sup> /min) of clean dry air, 5 micron filtered air at > 80 PSI (5.5 bars)	

## RECOMMENDED MACHINE CONFIGURATION BY APPLICATION

	SMT	SEMICONDUCTOR
Material	Solder paste, adhesive, conductive adhesive	Underfill, encapsulation, lid seal, thermal grease
Pump style	Dot Dispense Unit (D.U.) with auger screw	Multi-piston pump Heated line D.U. with auger screw
Needle	Footed	Non-footed Heated (40C ±3C)
Weight calibration	N/A	Available
Substrate Heat (≤100C ±3C)	None	Pre and post
Height sensing	LDVT/Touch Probe	LDVT/Touch Probe
Needle calibration	Standard	Standard
Pre-dispense	Standard	Standard

\*Conveyor width

[www.speedlinetechnologies.com](http://www.speedlinetechnologies.com)

Speedline Technologies, Inc.  
WORLD HEADQUARTERS  
16 Forge Park  
Franklin, MA 02038  
Tel: (508) 520-0083  
Fax: (508) 520-2288

Speedline Technologies, Inc.  
CAMALOT Division  
145 Ward Hill Avenue  
Haverhill, MA 01835  
Tel: (978) 373-3742  
Fax: (978) 521-2105

Speedline Technologies, Inc.  
MPM Division  
16 Forge Park  
Franklin, MA 02038  
Tel: (508) 520-0083  
Fax: (508) 520-2288

Speedline Technologies, Inc.  
SPECIALTY COATING SYSTEMS  
5707 West Minnesota Street  
Indianapolis, IN 46241  
Tel: (317) 244-1200  
Fax: (317) 240-2073

Speedline Technologies GmbH  
Daimlerstrasse 1E  
63303 Dreieich  
Germany  
Tel: +49 (0) 6103-832-0  
Fax: +49 (0) 6103-832-299

Speedline Technologies, Inc.  
ACCEL Division  
1825 East Plano Parkway  
Suite 250  
Plano, TX 75074-8129  
Tel: (972) 424-3525  
Fax: (972) 424-7526

Speedline Technologies, Inc.  
ELECTROVERT Division  
Highway 5 South  
Camdenton, MO 65020  
Tel: (573) 346-3341  
Fax: (573) 346-5554

Speedline Technologies, Inc.  
CUSTOMER SUPPORT CENTER  
580-A Tollgate Road  
Elgin, IL 60123  
Tel: (847) 695-5750  
Fax: (847) 695-5815

Speedline Technologies, Ltd.  
Unit 1  
Pincents Kiln Industrial Park  
Reading, Berkshire RG31 7SD  
United Kingdom  
Tel: +44 (0) 118-930-1400  
Fax: +44 (0) 118-930-1401

Speedline Technologies Asia  
150 Kampong Ampat  
KA Centre #05-08  
Singapore 368324  
Tel: (65) 286-6635  
Fax: (65) 289-9411

C A M A L O T

X Y F L E X P R O™



MODULAR DISPENSING SYSTEM

MODULAR DESIGN  
FOR FLEXIBILITY

SMALL FOOTPRINT  
JUST 31" (787MM) WIDE

NO TOOLING  
REQUIRED – FAST  
CHANGEOVER

UPGRADEABLE TO  
SUPPORT VARIOUS SMT  
OR SEMICONDUCTOR  
APPLICATIONS



## CAMALOT XyflexPro™ Modular Dispensing System

The CAMALOT XyflexPro™ Modular Dispensing System brings together many of the advanced dispensing technologies in the converging SMT and semiconductor packaging markets to meet the need for medium- to high-speed dispensing. Using a traditional x-y gantry, XyflexPro provides a large dispense area with minimal footprint of just 31" (787mm) wide. Its modular design allows two, three or four machines to be installed in-line, all controlled from a single PC-based controller and Windows NT® user interface. This makes it easy to optimize line balancing across multiple dispense patterns to achieve high throughput. XyflexPro is capable of dispense speeds of 30,000 to 120,000 dots per hour (application dependent).

# System Benefits

## FEATURES

- > **Compact footprint**—Only 31" (787mm) wide (conveyor width).
- > **Modular and flexible**—Multiple machine link-up allows variable throughput.
- > **Programmable** through one computer and user interface.
- > **Two versions available**—for SMT and semiconductor applications.
- > **Two platform sizes** for flexible board handling.

## UNIQUE DESIGN

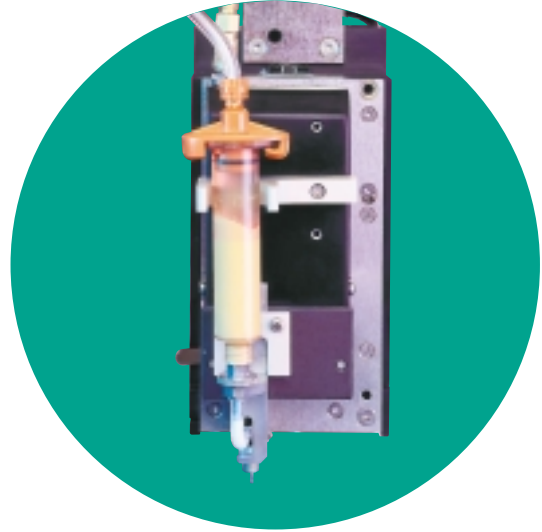
XyflexPro is available in two versions. The “large” version offers a 22" x 20" dispense area, and the “small” version has a 13" x 10" dispense area. This is a radically new design approach that features a single, modular platform that can accommodate a variety of easy-to-add accessories.

## BROAD RANGE OF CAPABILITIES

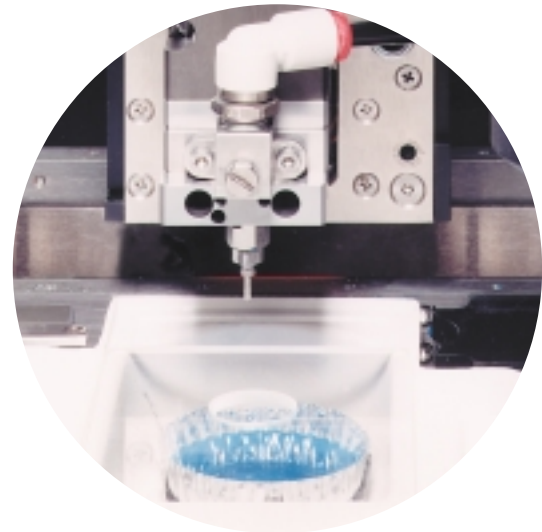
XyflexPro allows users to custom-configure manufacturing processes for either SMT or semiconductor packaging applications. The system can dispense dots of surface mount adhesive, conductive adhesive or solder paste for SMT applications. It can also dispense lines of encapsulant or underfill for semiconductor packaging applications.

## FLEXIBLE

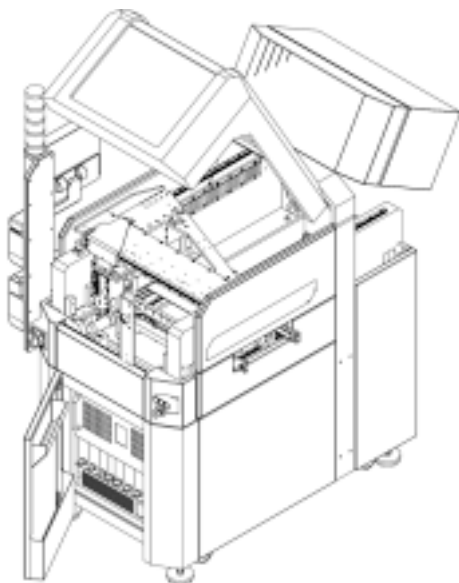
Because of the modular XyflexPro design, users find it easy to add options and accessories. Minimal engineering time and effort are required for upgrades. Product changeover is easy, requiring minimal tooling.



*Miniaturized Z-head houses camera and Z-sensor. Shown with Snap-In Dispense Head for quick and easy changeover, maximizing throughput and uptime.*



*Optional Multi-Piston Pump and Automatic Weight Calibration System.*



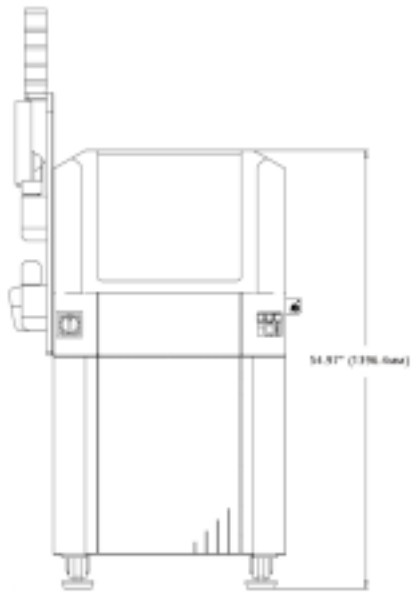
**THREE-QUARTER VIEW**



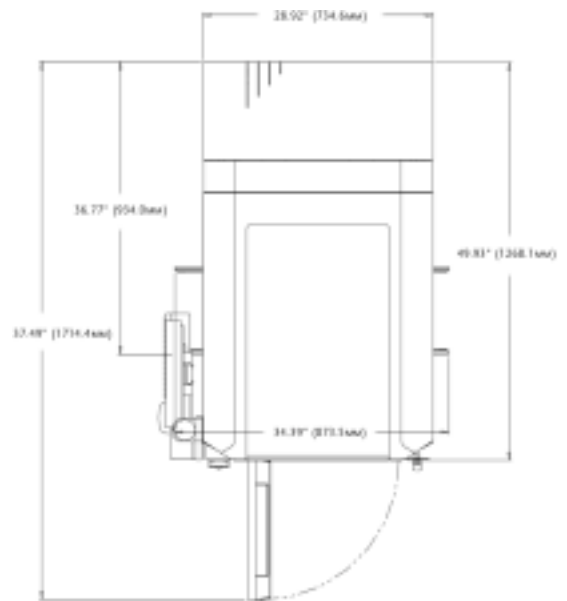
*Choose optional accessories to configure SMT or Semiconductor applications.*

# XyflexPro™ Dimensions

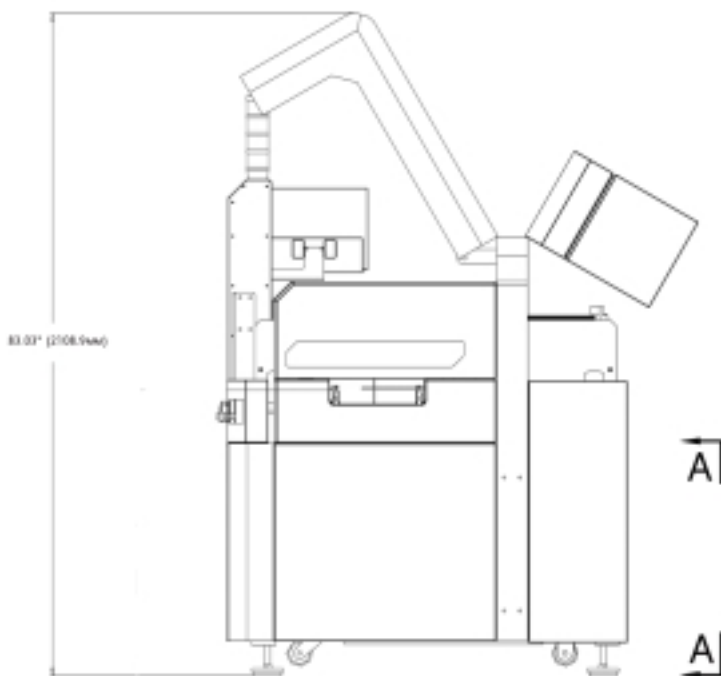
FRONT VIEW



TOP VIEW



SIDE VIEW



VIEW A - A

